

# Technical data sheet

Product features



## Oven electric GN 2/1 static

<b>Model</b>	<b>SAP Code</b>	00013599
--------------	-----------------	----------



– Device type: Electric unit

<b>SAP Code</b>	00013599	<b>Power electric [kW]</b>	6.700
<b>Net Width [mm]</b>	800	<b>Loading</b>	400 V / 3N - 50 Hz
<b>Net Depth [mm]</b>	855	<b>Width of internal part [mm]</b>	670
<b>Net Height [mm]</b>	480	<b>Depth of internal part [mm]</b>	730
<b>Net Weight [kg]</b>	35.00	<b>Height of internal part [mm]</b>	340

# Technical data sheet

Technical drawing

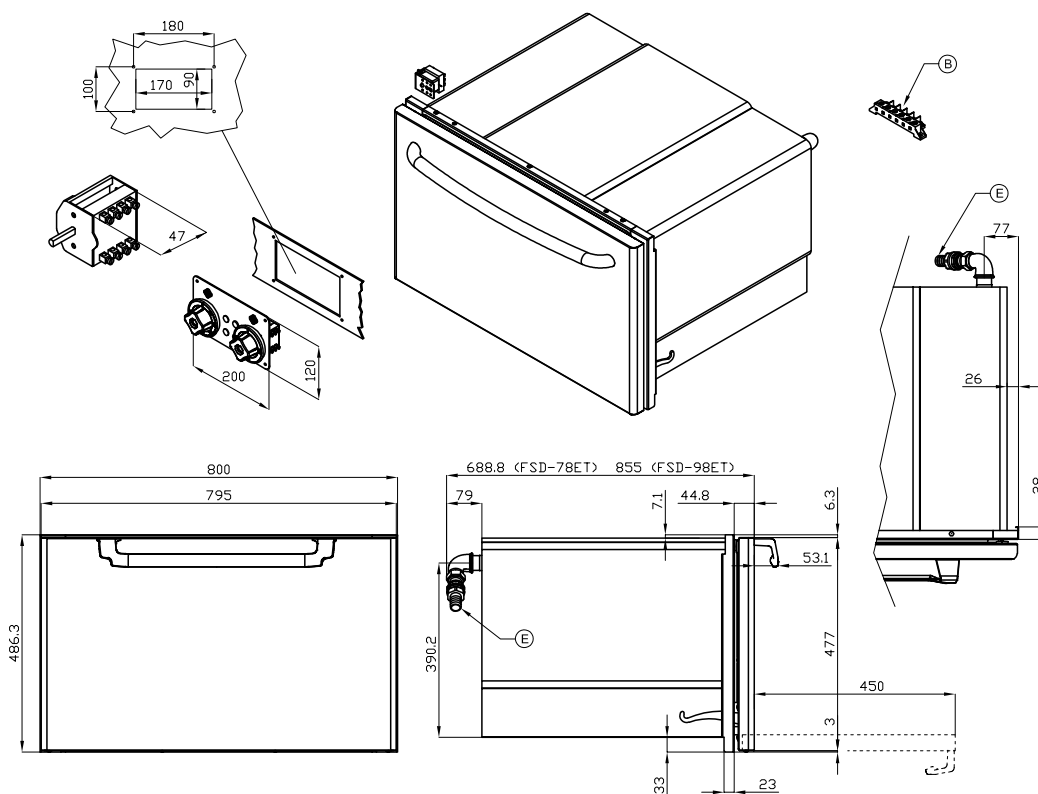


Oven electric GN 2/1 static

Model

SAP Code

00013599



A	Data plate		B	Electrical connection	
E	Water drainage	Ø25mm			

# Technical data sheet

Technical parameters



## Oven electric GN 2/1 static

Model

SAP Code

00013599

**1. SAP Code:**

00013599

**2. Net Width [mm]:**

800

**3. Net Depth [mm]:**

855

**4. Net Height [mm]:**

480

**5. Net Weight [kg]:**

35.00

**6. Gross Width [mm]:**

830

**7. Gross depth [mm]:**

970

**8. Gross Height [mm]:**

770

**9. Gross Weight [kg]:**

45.00

**10. Device type:**

Electric unit

**11. Construction type of device:**

Drop-in

**12. Power electric [kW]:**

6.700

**13. Loading:**

400 V / 3N - 50 Hz

**14. Device heating type:**

Static baking

**15. Additional information:**

grate: 650 x 710 GN2/1

**16. Oven Type:**

electrical static

**17. Oven size:**

GN 2/1

**18. Width of internal part [mm]:**

670

**19. Depth of internal part [mm]:**

730

**20. Height of internal part [mm]:**

340

**21. Cross-section of conductors CU [mm<sup>2</sup>):**

1,5

- Výkon (kW): 5-5,7 (230 V); 8,7-9,8 (400 V)